



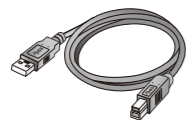
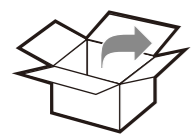
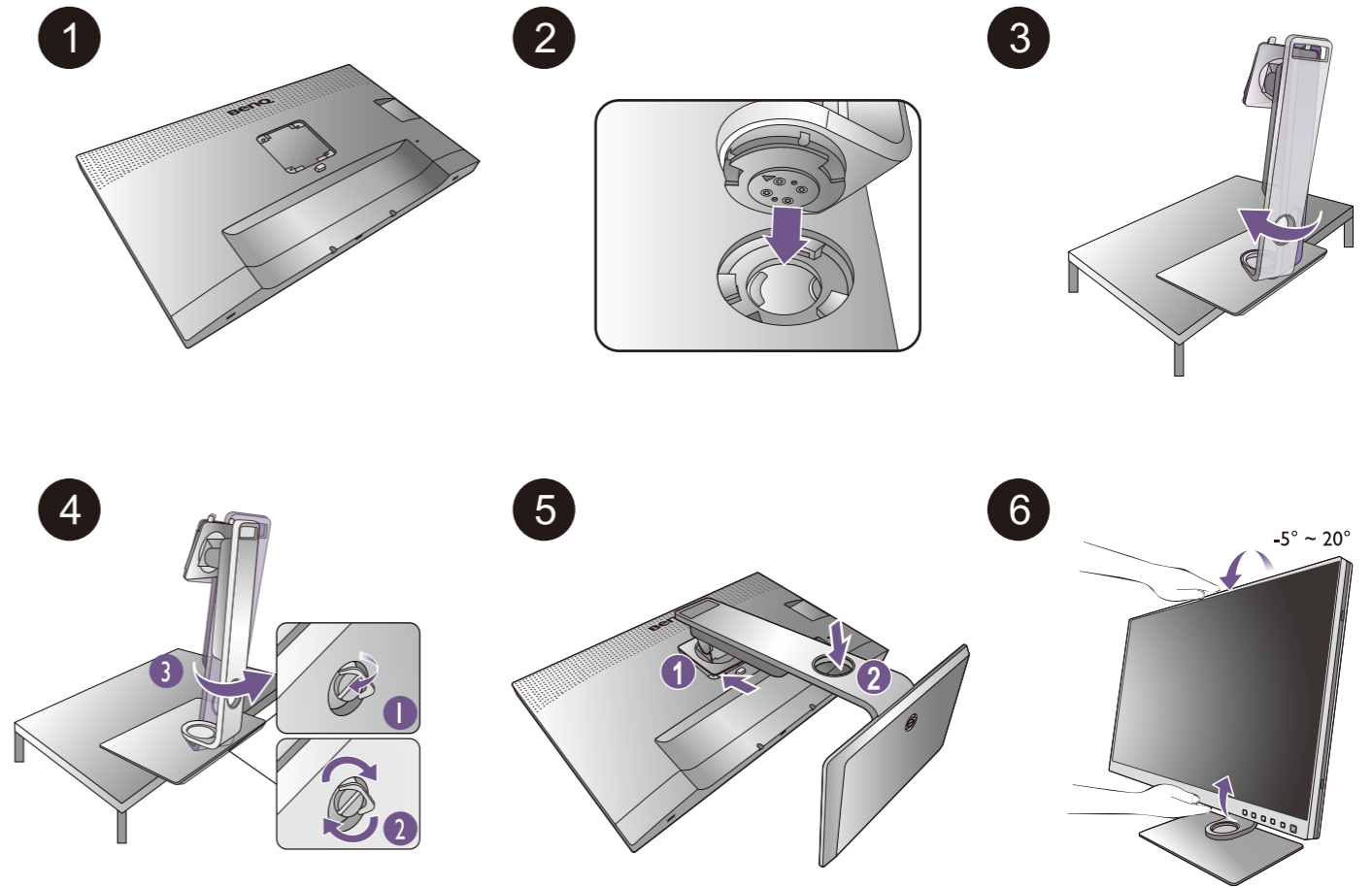
LCD Monitor Quick Start Guide

PhotoVue Photographer Monitor | SW Series



DN: SW270C-EQ-V2

© 2022 BenQ Corporation. All rights reserved. Rights of modification reserved.



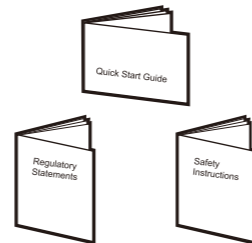
USB



DP to mini DP



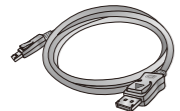
Hotkey Puck G2



Shading Hood



USB-C™ (optional)



DP (optional)



HDMI (optional)



Audio (optional)

The terms HDMI, HDMI High-Definition Multimedia Interface, HDMI Trade Dress and the HDMI Logos are trademarks or registered trademarks of HDMI Licensing Administrator, Inc.



(For models with HDMI inputs)



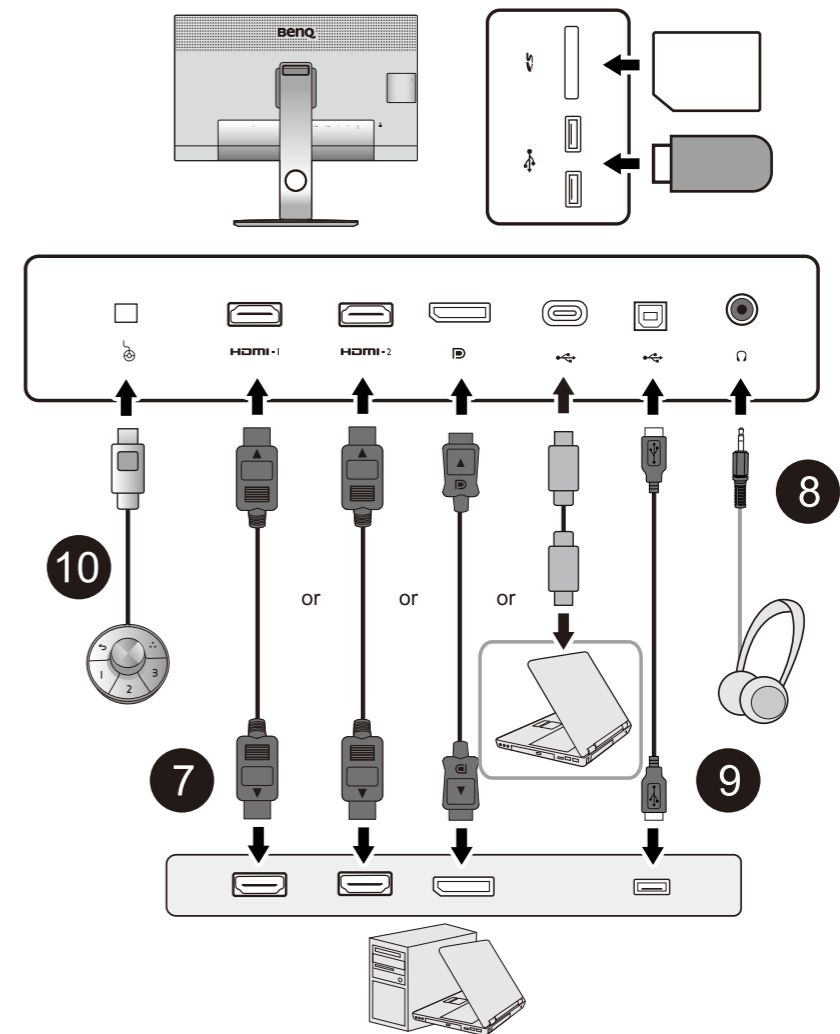
P/N: 4J.XXXXX.XXX

7 Video

8 Audio

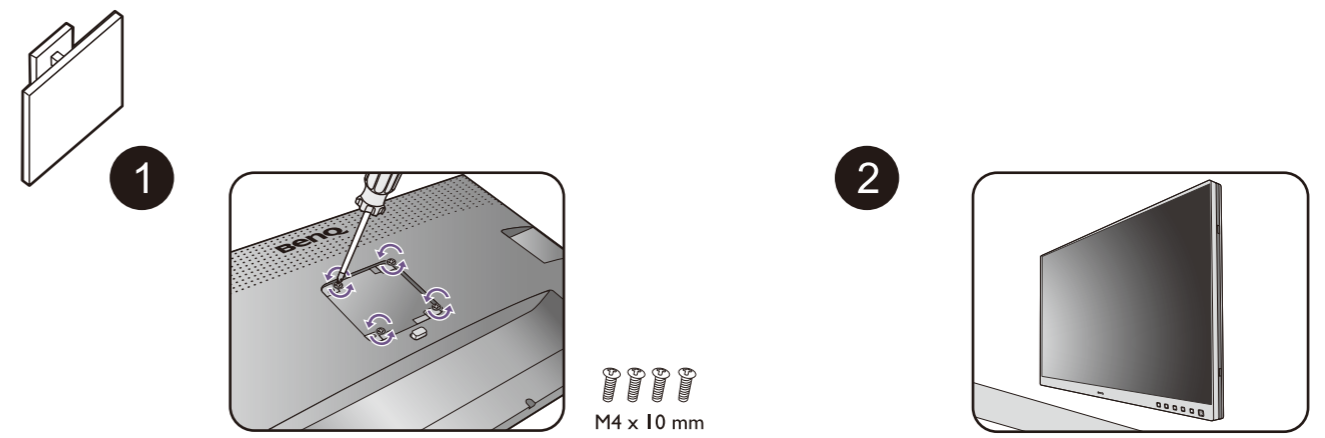
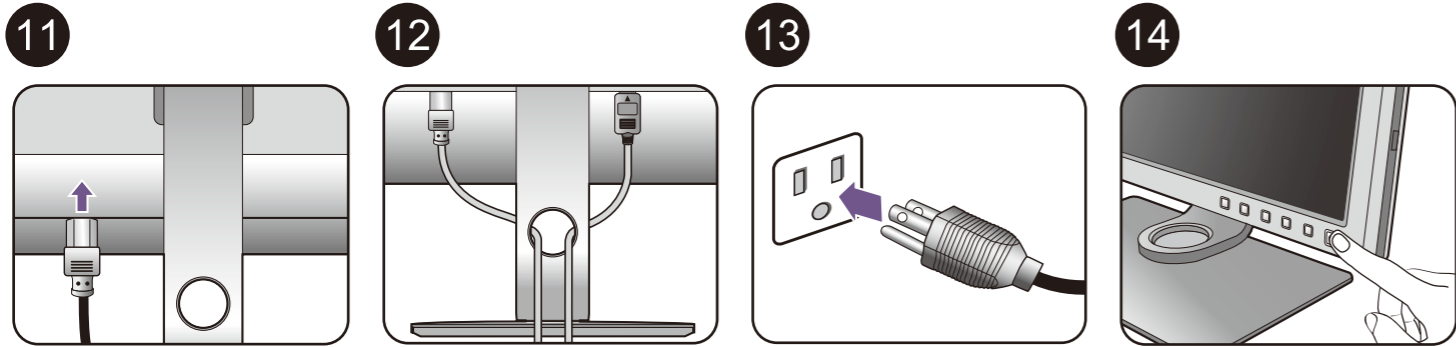
9 USB

10 Hotkey Puck G2



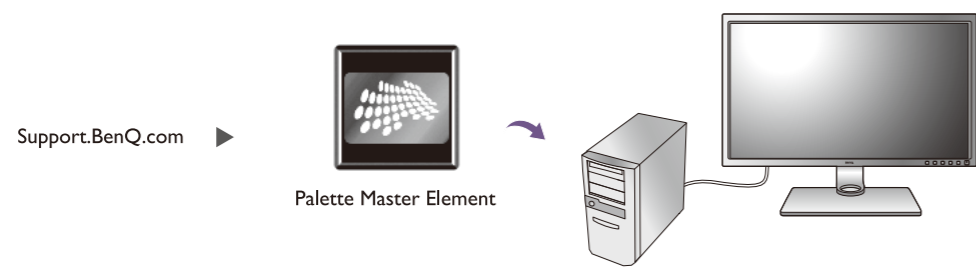
How to use Hotkey Puck G2





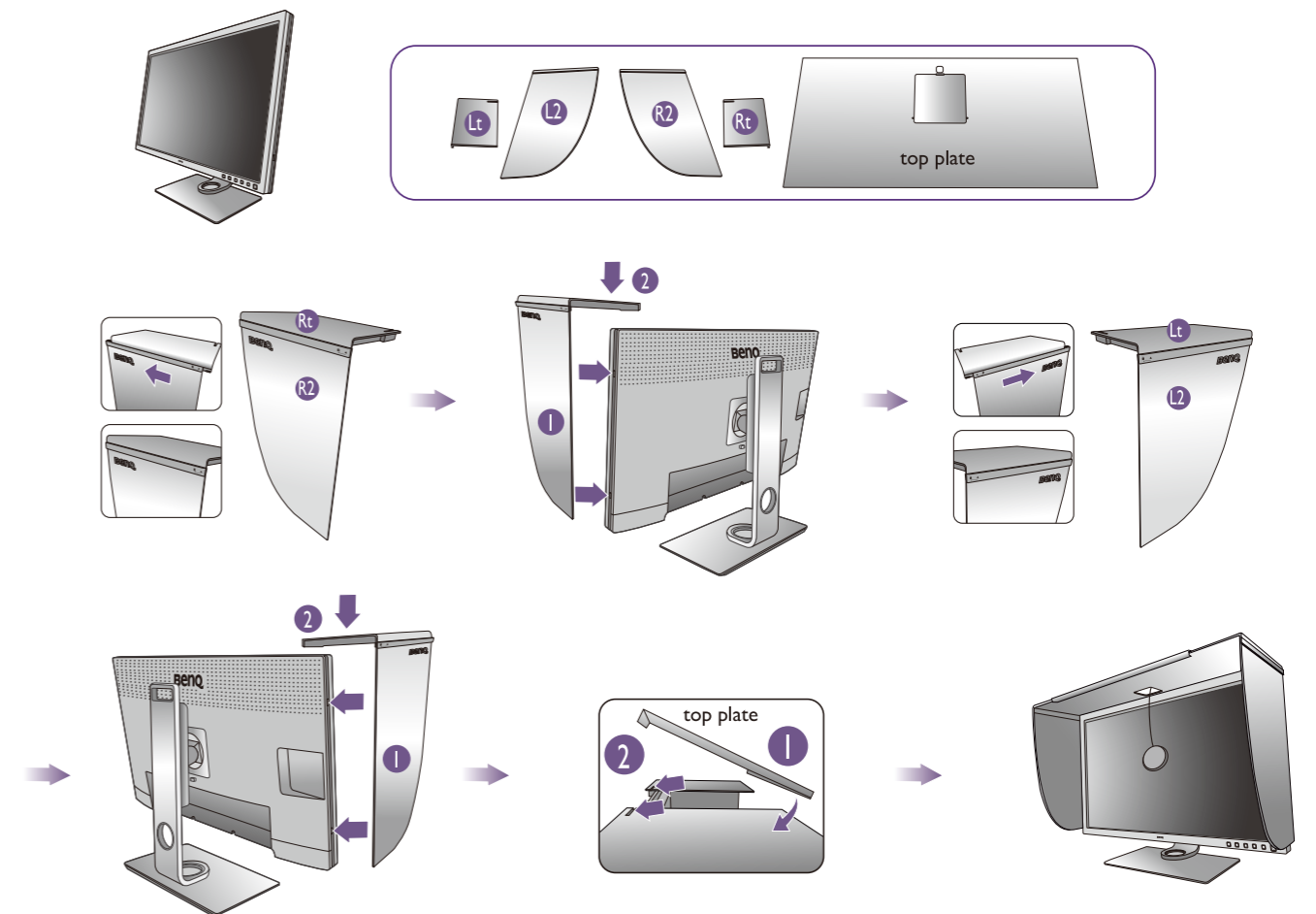
Software installation

Calibration software: Palette Master Element

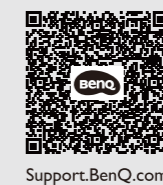
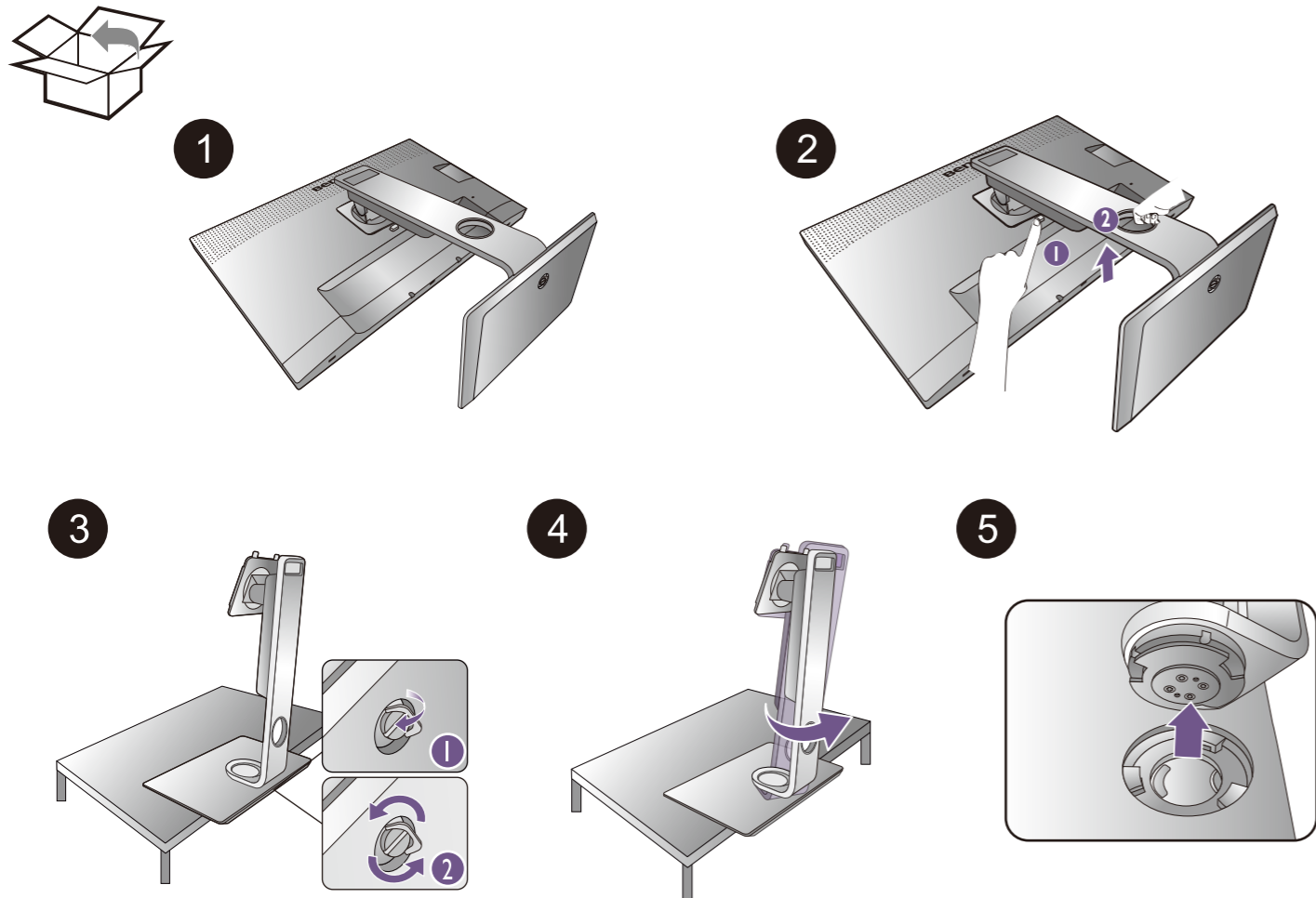


How to install the shading hood (optional step)

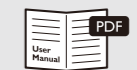
Landscape mode



How to install shading hood



Support.BenQ.com



Online Manual



Product Support



Software Download